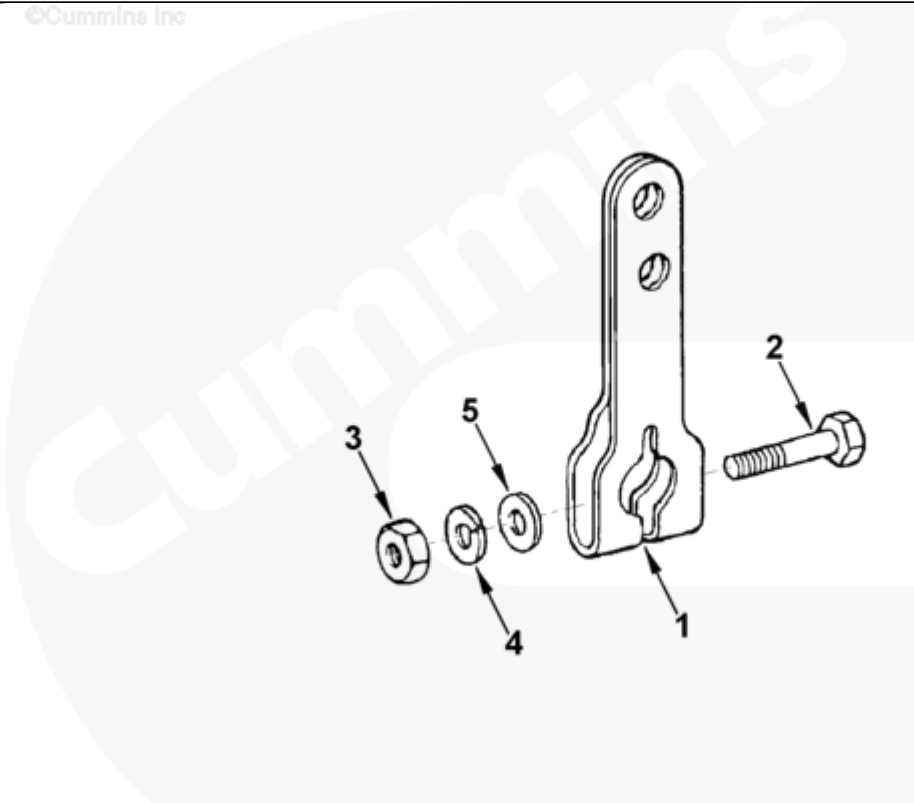




## Parts Catalog - Option Detail

Electronic Parts Catalog - Option Detail				
Option	Group	Graphic	Film Card	Date
TL8007	05.02	tl600gc	K38	15-JUN-97
<b>Engines</b>	GTA38, K38, KTA38GC CM558, QSK38 CM2150 K106, QSK38 CM2150 MCRS, QSK38 CM850 MCRS			

©Cummins Inc



tl600gc

[SMALL](#) | [MEDIUM](#) | [LARGE](#)

Cart	Ref No	Part Number	Part Description	Required	Remarks
<a href="#">View My Cart</a>					
		<a href="#">TL8007</a>	Throttle Lever		<a href="#">Two hole rigid type throttle...(More)</a>
					lever with 0.34 inch diameter
					with 4.00 and 5.00 centers.
					Variable speed type.
<input type="checkbox"/>	1	<a href="#">110481</a>	Throttle Lever	1	
<input type="checkbox"/>	2	<a href="#">S 159 B</a>	Hexagon Head Cap Screw	1	1/4 - 28 x 1 1/2 in.
<input type="checkbox"/>	3	<a href="#">S 270</a>	Regular Hexagon Nut	1	1/4 - 28 UNF.

<input type="checkbox"/>	4	<a href="#">S 600</a>	Lock Washer	1	1/4 in.
<input type="checkbox"/>	5	<a href="#">70704</a>	Plain Washer	1	1/4 in.

© 2019 Cummins Inc., Box 3005, Columbus, IN 47202-3005 U.S.A.  
[Terms of Use and Disclaimers](#) | [Recommended System Requirements](#)  
Need Assistance? Please click on the [Contact Us](#) button in the top right corner of any page.